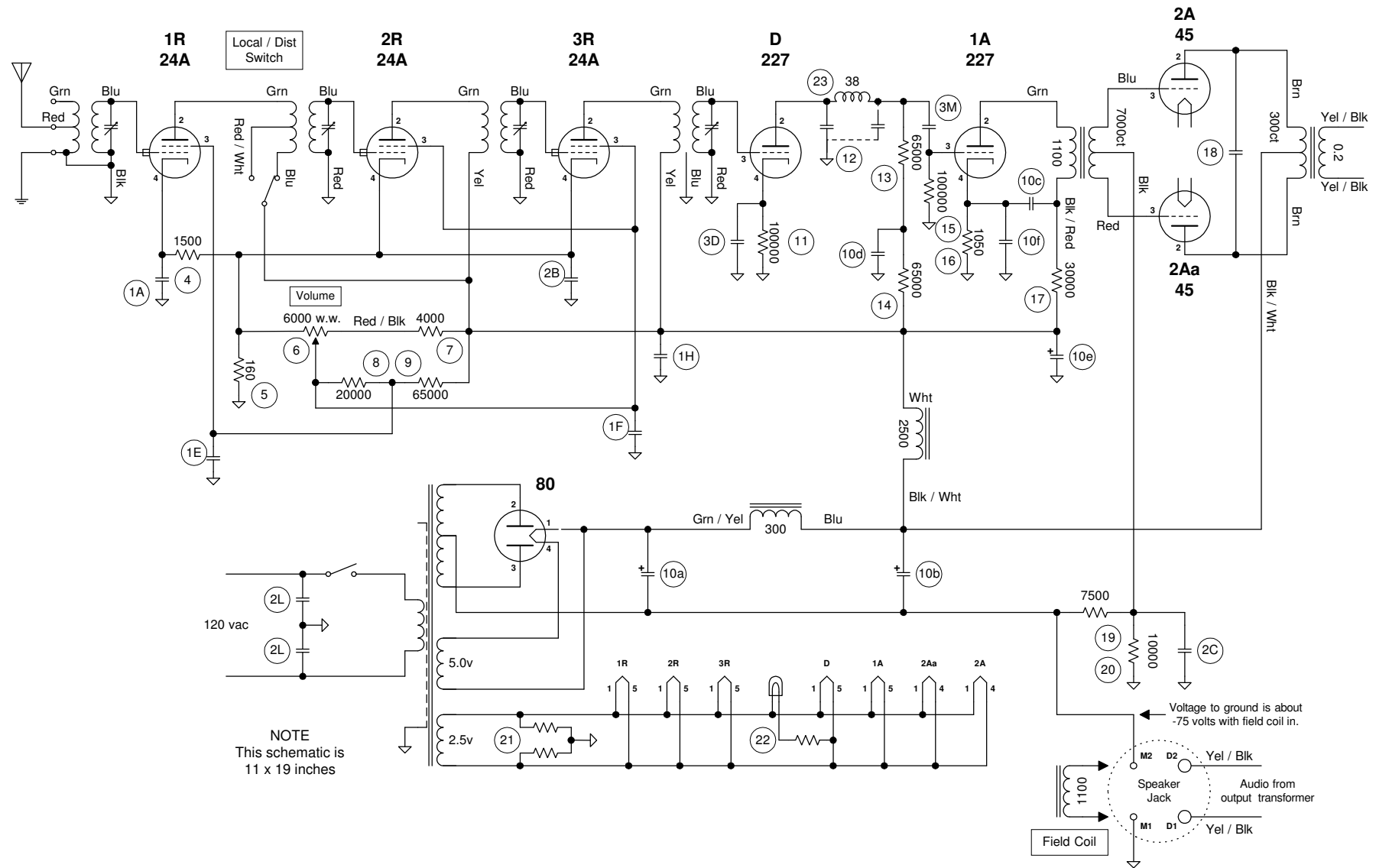


| REF | PART NO. | VALUE | DESCRIPTION |
|-----|-------------|-------------|-------------------------------------|
| 1A | 15262 (H-1) | 0.1 / 150v | 1st RF bias bypass |
| 1E | 15262 (H-1) | 0.1 / 150v | 1st RF screen bypass |
| 1F | 15262 (H-1) | 0.1 / 400v | 2nd-3rd RF screen bypass |
| 1H | 15262 (H-1) | 0.1 / 400v | RF plate circuit bypass |
| 2B | 16233 (H-4) | 0.1 / 150v | RF bias bypass |
| 2C | 16233 (H-4) | 0.1 / 150v | 2nd AF bias bypass |
| 2L | 16233 (H-4) | 0.01 / 400v | AC line bypass (2 each) |
| 3D | 15263 (H-2) | 0.3 / 150v | Det bias bypass |
| 3M | 15263 (H-2) | .075 / 400v | Det 1st AF coupling condenser |
| 4 | 16253 | 1,500 | 1st RF bias resistor |
| 5 | 16988 | 160 | RF bias resistor |
| 6 | 14250 | 6,000 | Volume control |
| 7 | 16295 | 4,000 | Bleeder |
| 8 | Black - Red | 20,000 | Screen grid resistor #2 |
| 9 | Black | 65,000 | Screen grid resistor #1 |
| 10a | 14340 | 2 / 450v | Filter condenser #1 |
| 10b | 14340 | 2.3 / 450v | Filter condenser #2 |
| 10c | 14340 | 0.5 / 400v | 1st AF filter condenser |
| 10d | 14340 | 1.0 / 400v | Det filter condenser |
| 10e | 14340 | 2.3 / 450v | Filter condenser #3 |
| 10f | 14340 | 0.1 / 400v | 1st AF bias bypass |
| 11 | Blue | 100,000 | Det bias resistor |
| 12 | 15792 | .002 / 400v | Phone condenser double ¹ |
| 13 | Black | 65,000 | Det coupling resistor |
| 14 | Black | 65,000 | Det filter resistor |
| 15 | Red - Blue | 100,000 | 1st AF grid leak |
| 16 | 15660 | 1050 | 1st AF bias resistor |
| 17 | Gray | 30,000 | 1st AF filter resistor |
| 18 | Note 2 | 0.01 / 600v | Quality condenser |
| 19 | White | 40,000 | 2nd AF bias resistor #2 |
| 20 | Black | 65,000 | 2nd AF bias resistor #1 |
| 21 | 17077 | 5 + 5 | Filament shunt resistor |
| 22 | 15747 | 2 | Dial light resistor |
| 23 | 15271 | - | Det plate choke |

Notes
1 - Phone condenser was single or double; double shown in dotted lines.
2 - Quality condenser is mounted inside the audio output transformer.
3 - White 40,000 replaced Yellow, Black 65,000 replaced Maroon as a pair.

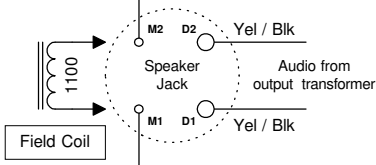


NOTE
This schematic is
11 x 19 inches

| Element | Tube | 1R | 2R | 3R | D | 1A | 2A |
|---------|------|-----|-----|-----|-----|----|-----|
| Plate | | 170 | 175 | 175 | 110 | 75 | 250 |
| Screen | | 130 | 96 | 96 | | | |
| Grid | | -8 | -4 | -4 | -12 | -2 | -48 |

All voltages measured from tube cathode (-F for 2A & 2Aa), volume at maximum.
Taken with 1000 ohm-per-volt meter at 120 volt line. Reduce by 9% for 110 volt line.

Voltage to ground is about
-75 volts with field coil in.



PRELIMINARY
The data presented herein is believed to be correct, but is
subject to revision as new information becomes available.

| | | | | | |
|--|--------|------------------------------|----------|--|--------|
| This drawing covers models: 60 15000 60C 15100 | | W3NLB AK15000SCHEM | | (c) 2003-2007 W3NLB All Rights Reserved | |
| Drawn by: Leigh Bassett W3NLB | | Size: B | FSCM NO: | DWG NO: AK15000SCHEM | REV: B |
| Date: 15 Feb 2007 | SCALE: | SHEET | | 1 OF 1 | |